

MİMARİ KATALOG

ARCHITECTURAL CATALOGUE

Aluminyum Kapı Pencere ve Giydirme Cephe Sistemleri
Aluminium Window Doors and Facade Systems



Rescara Sistem
Profil Detayları

Rescara System
Profile Details



COMP 50

RESCARA SİSTEM

RESCARA SYSTEM

Aluminyum Kapı Pencere ve Giydirme Cephe Sistemleri
Aluminium Window Doors and Facade Systems

31



32

33

34

35

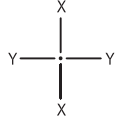
36

37

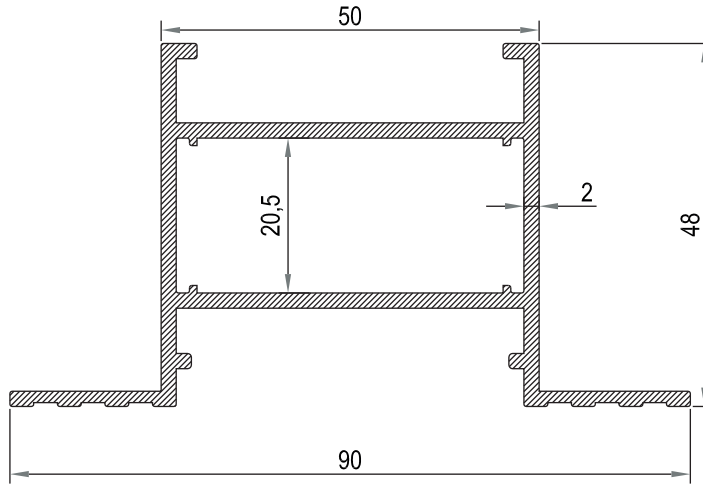
38



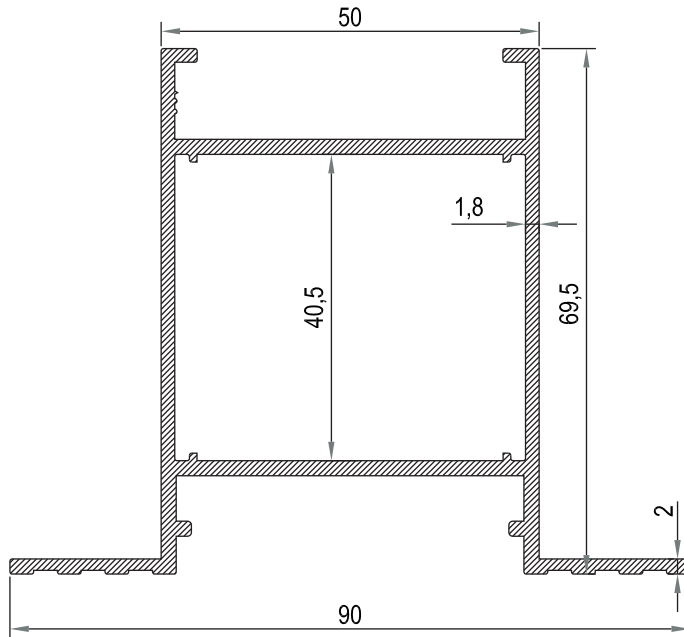
KOD / CODE	AĞIRLIK (kg/m) / WEIGHT	Jxx cm ⁴	Jyy cm ⁴	L m
10634	1,271	10,261	24,261	6
11039	1,447	27,917	28,126	6



10634

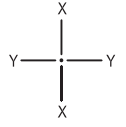


11039





KOD / CODE	AĞIRLIK (kg/m) / WEIGHT	L m
6531	0,368	6
1100	0,250	6
3558	0,238	6
6773	0,222	6
257	0,335	6
3561	0,199	6
11191	0,295	6



31

32

33

34

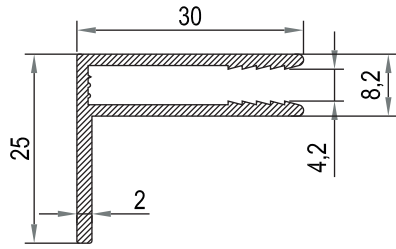
35

36

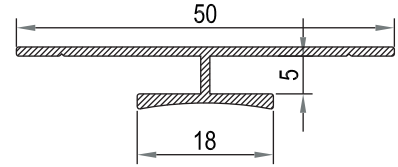
37

38

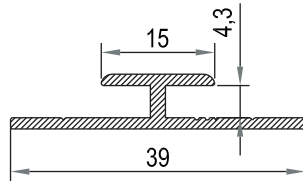
6531



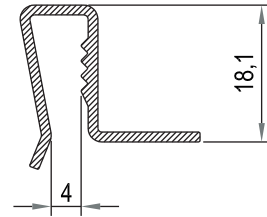
1100



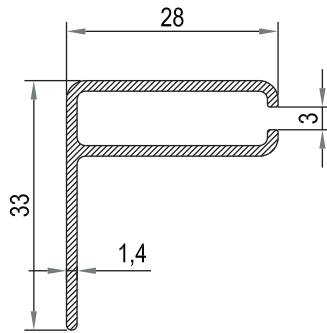
3558



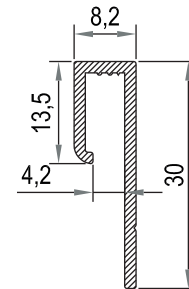
6773



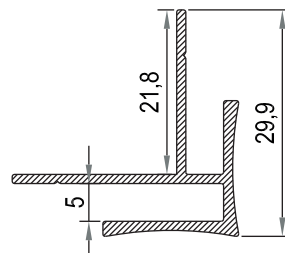
257

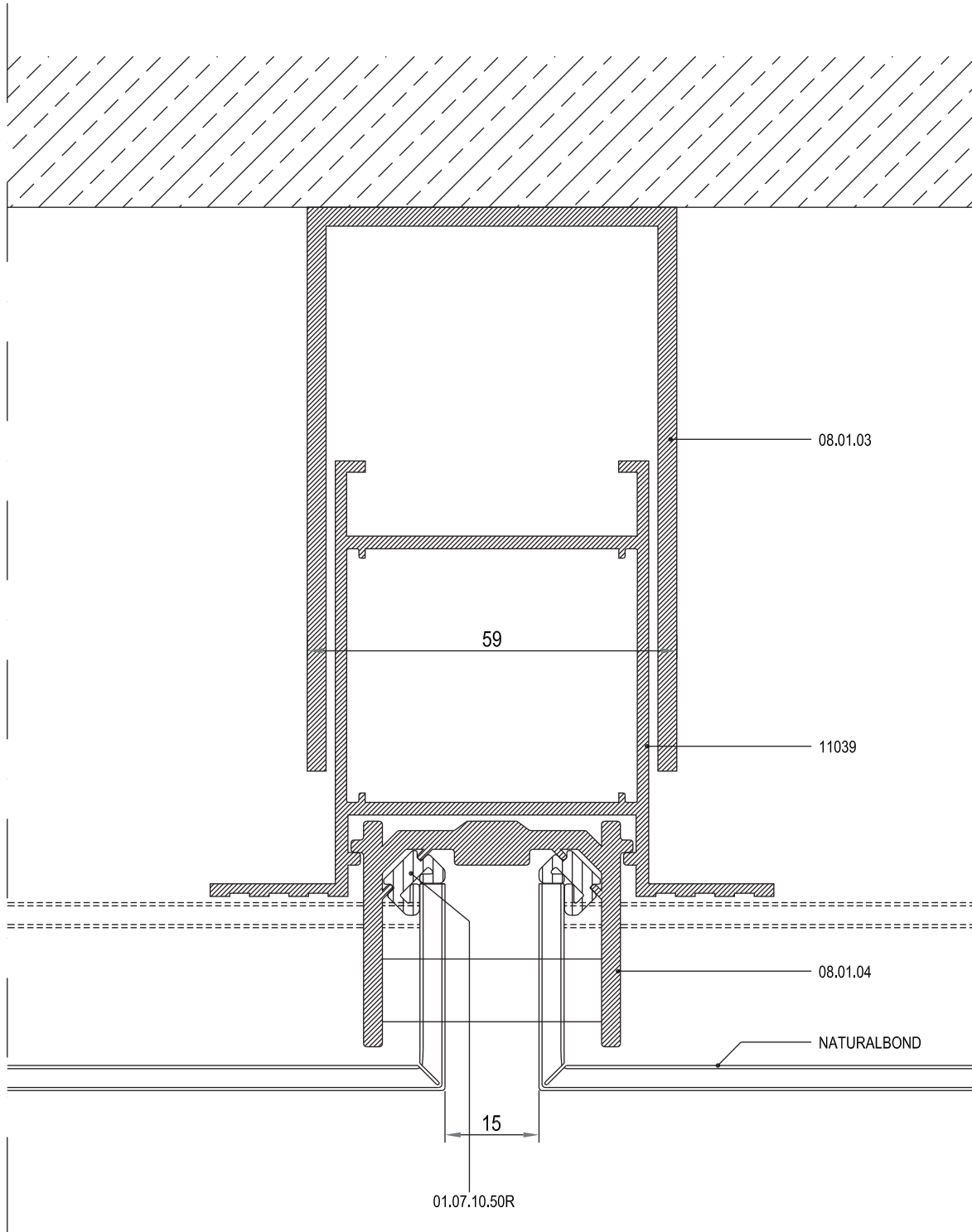


3561



11191





31

32

33

34

35

36

37

38



31

32

33

34

35

36

37

38

15

90.0

NATURALBOND

08.01.03

22

9

08.01.04

12


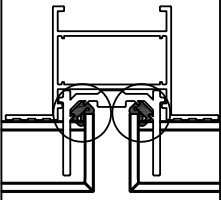

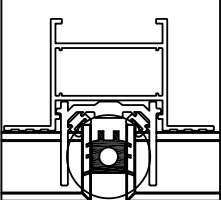
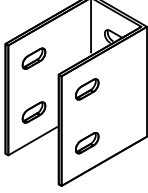
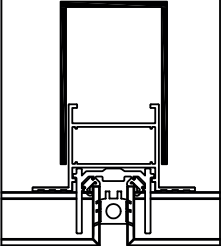
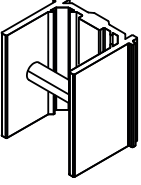
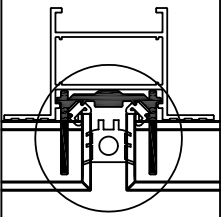
10

40

11039

10



	<p>01.07.10.50R FİTİL GASKET EPDM 73 gr/m</p>				
	<p>01.07.14.50R DERZ FİTİLİ LINE GASKET EPDM 246 gr/m</p>				
	<p>08.01.03 ALUMİNYUM ANKRAJ ANCHORAGE (ALUMINIUM) PROFIL NO: 10635 (1,895 kg/m) PROFILE NO: 10635 (1,895 kg/m)</p>				
	<p>08.01.04 ANAHTAR GEÇME BAĞLANTI CONNECTION PIECE PROFIL NO: 10633 (1,056 kg/m) PROFILE NO: 10633 (1,056 kg/m)</p>				

31

32

33

34

35

36

37

38

RESCARA SİSTEM

RESCARA SYSTEM

Aluminyum Kapı Pencere ve Giydirmce Cephe Sistemleri
Aluminium Window Doors and Facade Systems

31



32

33

34

35

36

37

38