

MİMARİ KATALOG

ARCHITECTURAL CATALOGUE

Aluminyum Kapı Pencere ve Giydirme Cephe Sistemleri
Aluminium Window Doors and Facade Systems



Rescara Sistem
Profil Detayları

Rescara System
Profile Details

RO73+

RESCARA SİSTEM

RESCARA SYSTEM

Aluminyum Kapı Pencere ve Giydirme Cephe Sistemleri
Aluminium Window Doors and Facade Systems

11



12

13

14

15

16

17

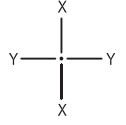
18

19

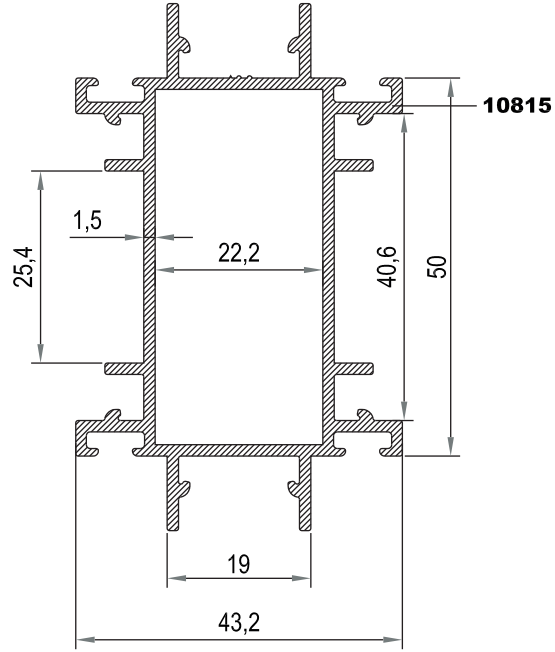
20



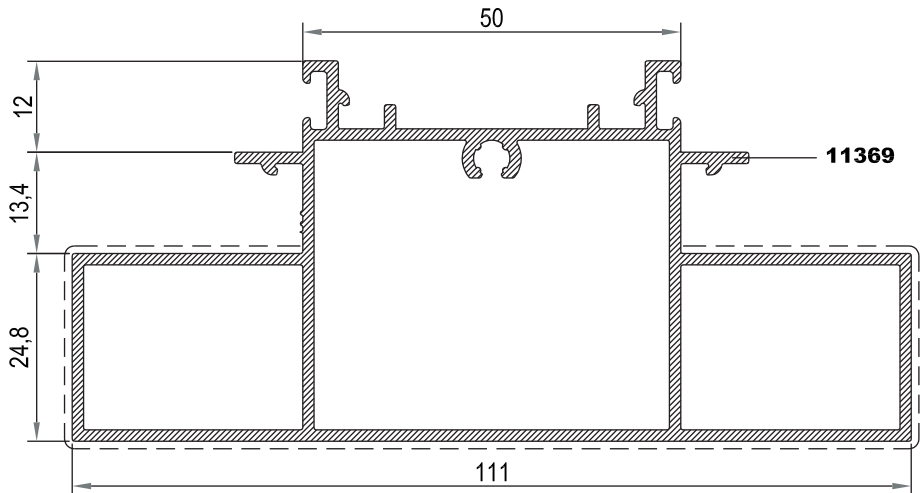
KOD / CODE	AĞIRLIK (kg/m) / WEIGHT	Jxx cm ⁴	Jyy cm ⁴	L m
RO F 01	1,108	6,599	18,194	6
RO A 09	1,681	65,792	16,798	6



RO F 01



RO A 09



11

12

13

14

15

16

17

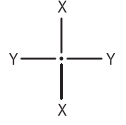
18

19

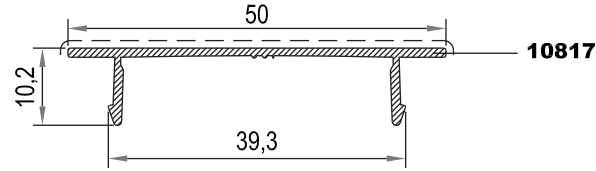
20



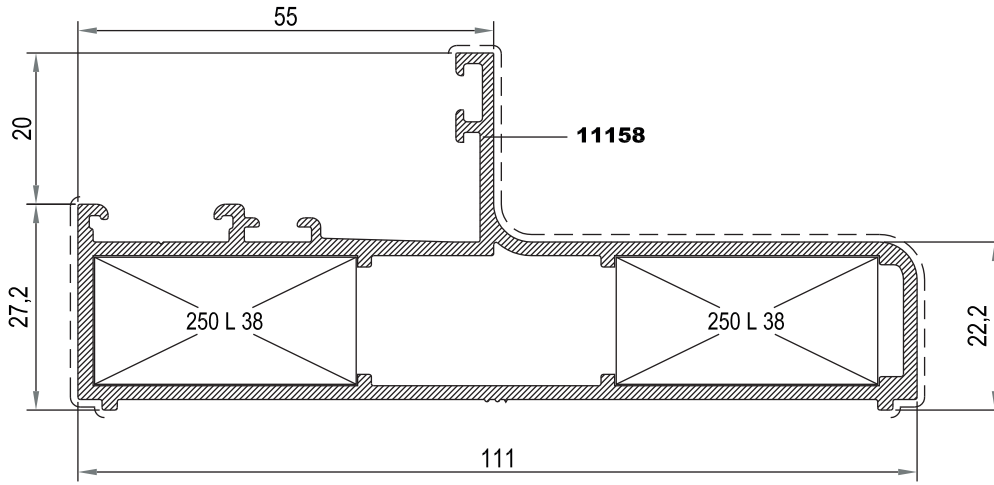
KOD / CODE	AĞIRLIK (kg/m) / WEIGHT	Jxx cm ⁴	Jyy cm ⁴	L m
RO A 01	0,208	---	---	6
RO A 06	1,572	---	---	6
RO A 07	0,448	---	---	6
RO A 08	0,173	---	---	6



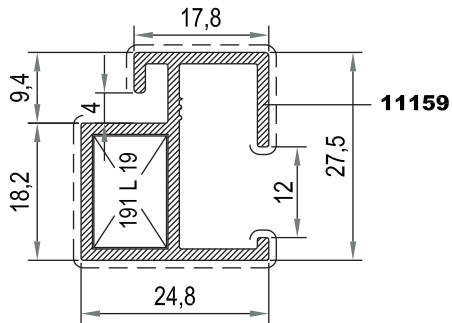
RO A 01



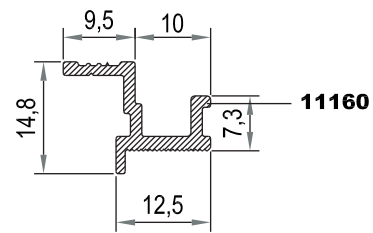
RO A 06



RO A 07



RO A 08



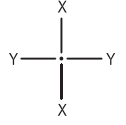
Nr

KESİM ÖLÇÜSÜ
CUTTING SIZE

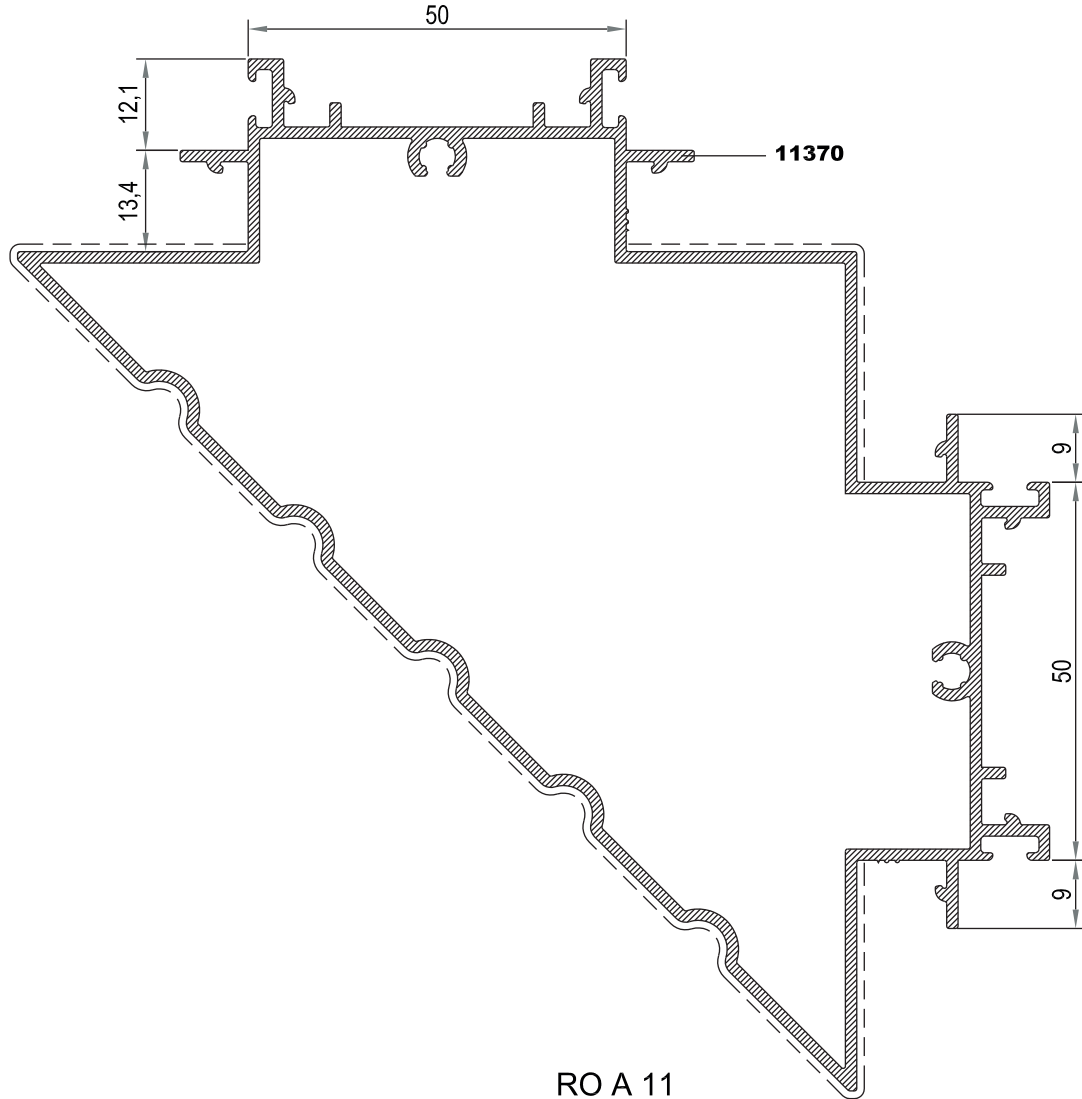
	Nr	KESİM ÖLÇÜSÜ CUTTING SIZE	AKS.KODU ACS.CODE
RO A 06	11158	25 L 38 (2074)	250 L 38
RO A 07	11159	25 L 19 (2165)	191 L 19



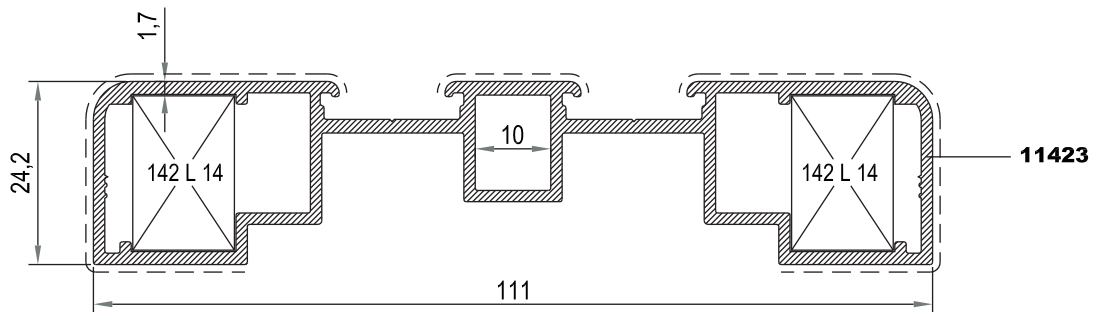
KOD / CODE	AĞIRLIK (kg/m) / WEIGHT	Jxx cm ⁴	Jyy cm ⁴	L m
RO A 10	2,754	138,558	138,639	6
RO A 11	1,340	61,880	3,360	6



RO A 10



RO A 11



Nr		L m	KESİM ÖLÇÜSÜ CUTTING SIZE	AKS KODU ACS CODE
RO A 11	11423	25 L 14 (2059)	13,4 mm	142 L 14

11

12

13

14

15

16

17

18

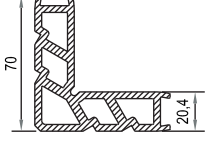
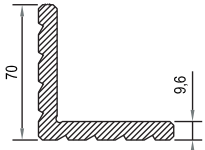
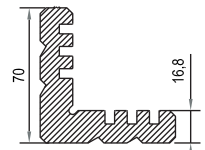
19

20



11

TAKOZLAR (CLEATS)


PROFİL KODU (PROFILE CODE)	25 L 14	25 L 19	25 L 38	
FABRİKA KODU (FACTORY CODE)	2059	2165	2074	
AĞIRLIK (WEIGHT)	3,270 kg/m	3,236 kg/m	4,854 kg/m	
ÇİZİM (DRAWING)				

12

13

14

KÖŞE TAKOZLARI (CORNER CLEATS)

Nr			KESİM ÖLÇÜSÜ CUTTING SIZE	AKS. KODU ACS. CODE
RO A 06	11158	25 L 38 (2074)	34,6 mm	250 L 38
RO A 07	11159	25 L 19 (2165)	14,7 mm	191 L 19
RO A 11	11423	25 L 14 (2059)	13,4 mm	142 L 14

15

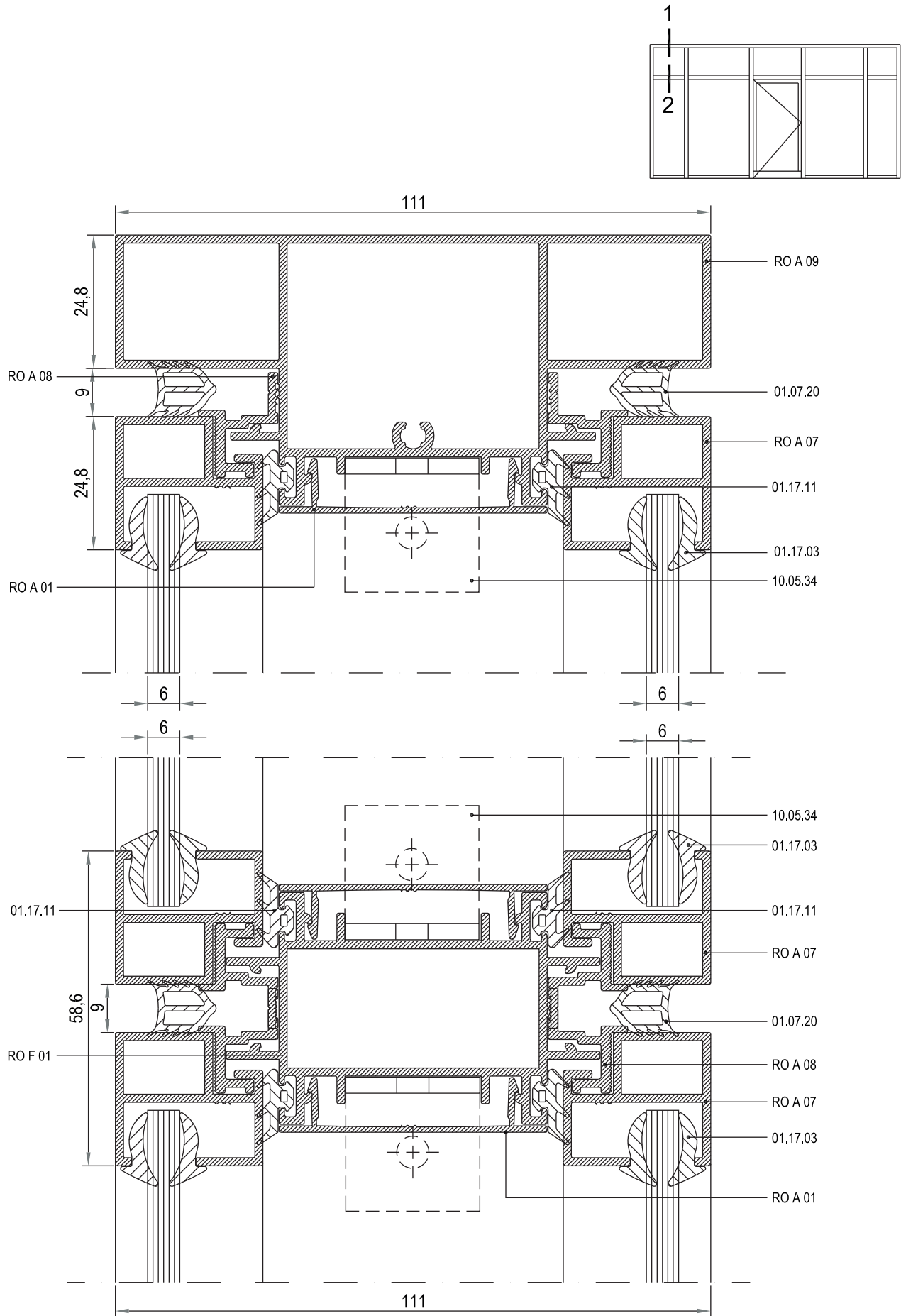
16

17

18

19

20



11

12

13

14

15

16

17

18

19

20



11

12

13

14

15

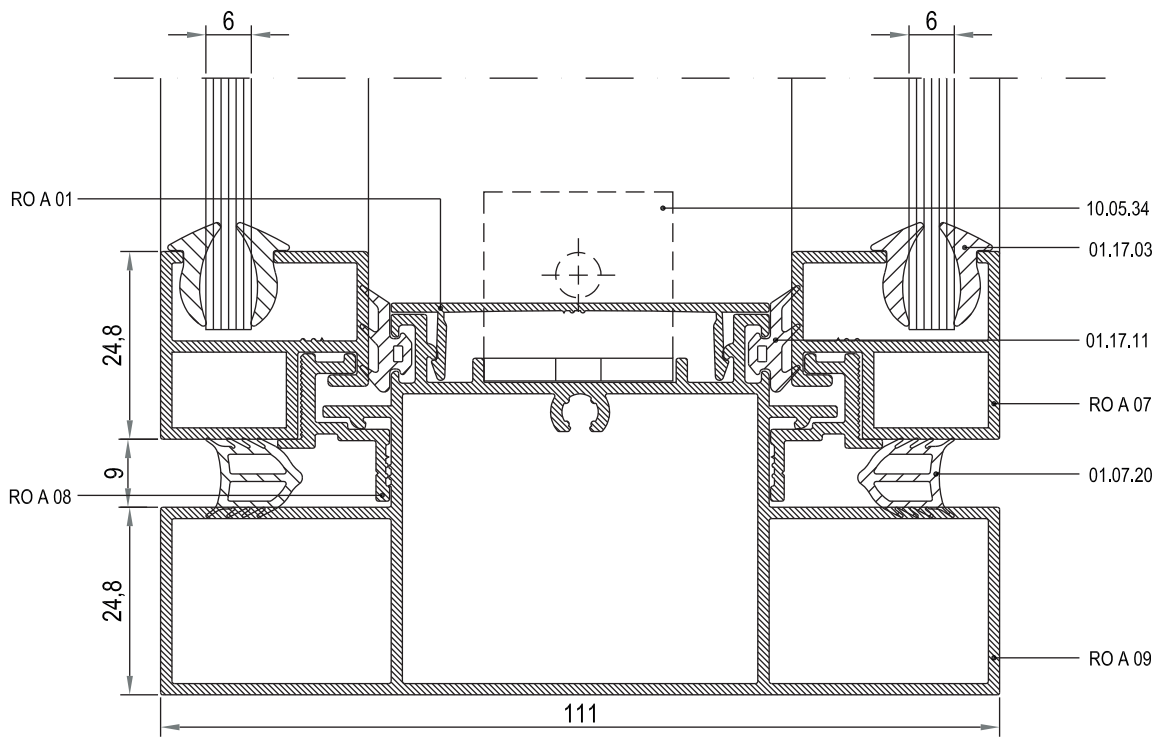
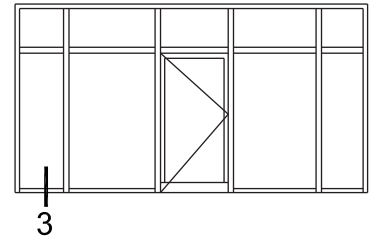
16

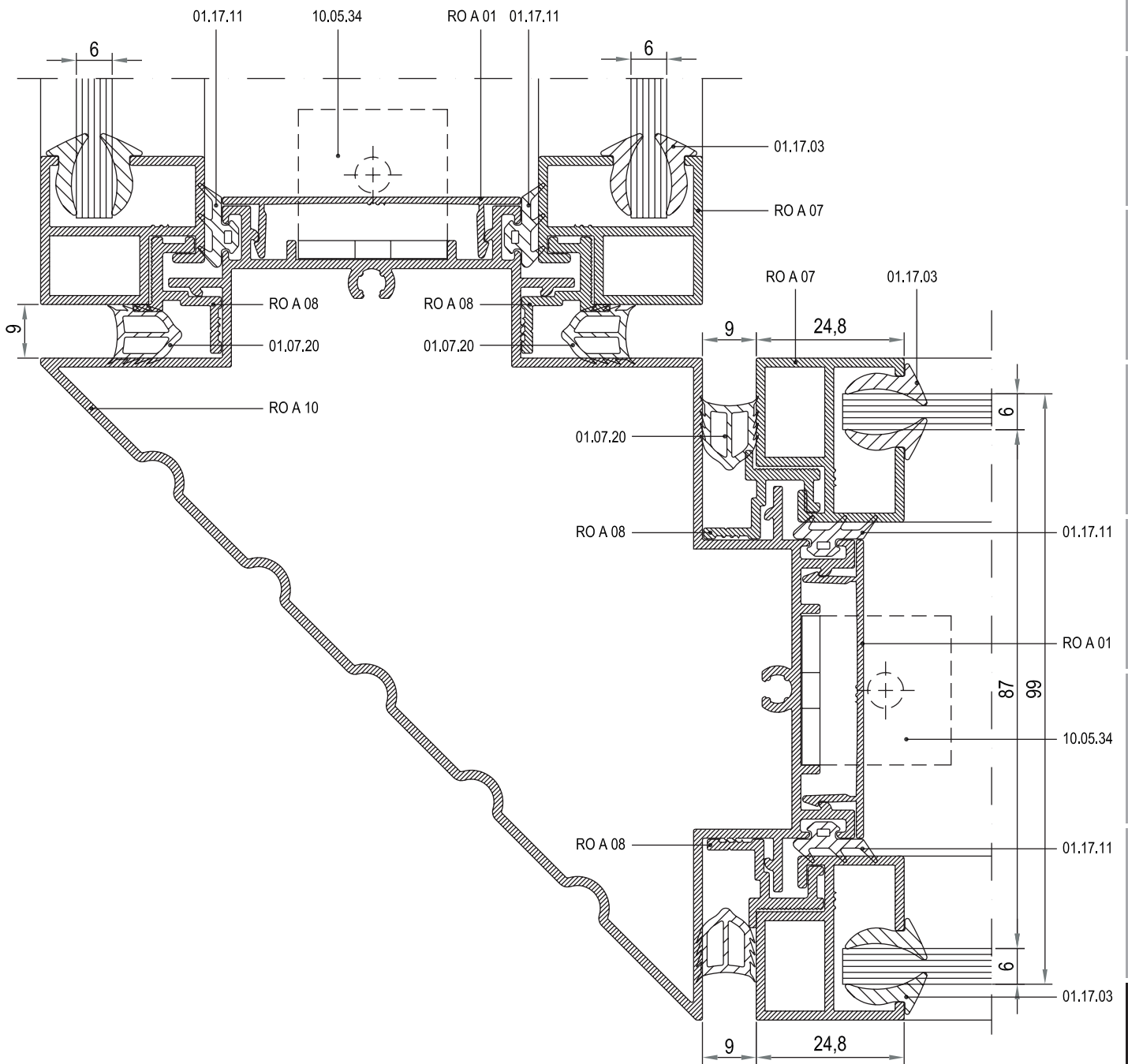
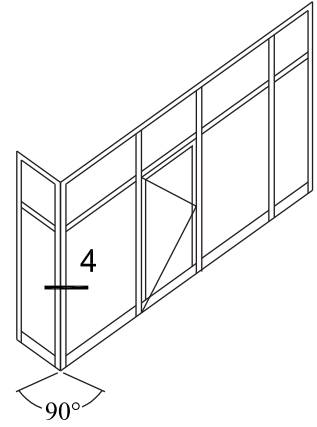
17

18

19

20





11

12

13

14

15

16

17

18

19

20



11

12

13

14

15

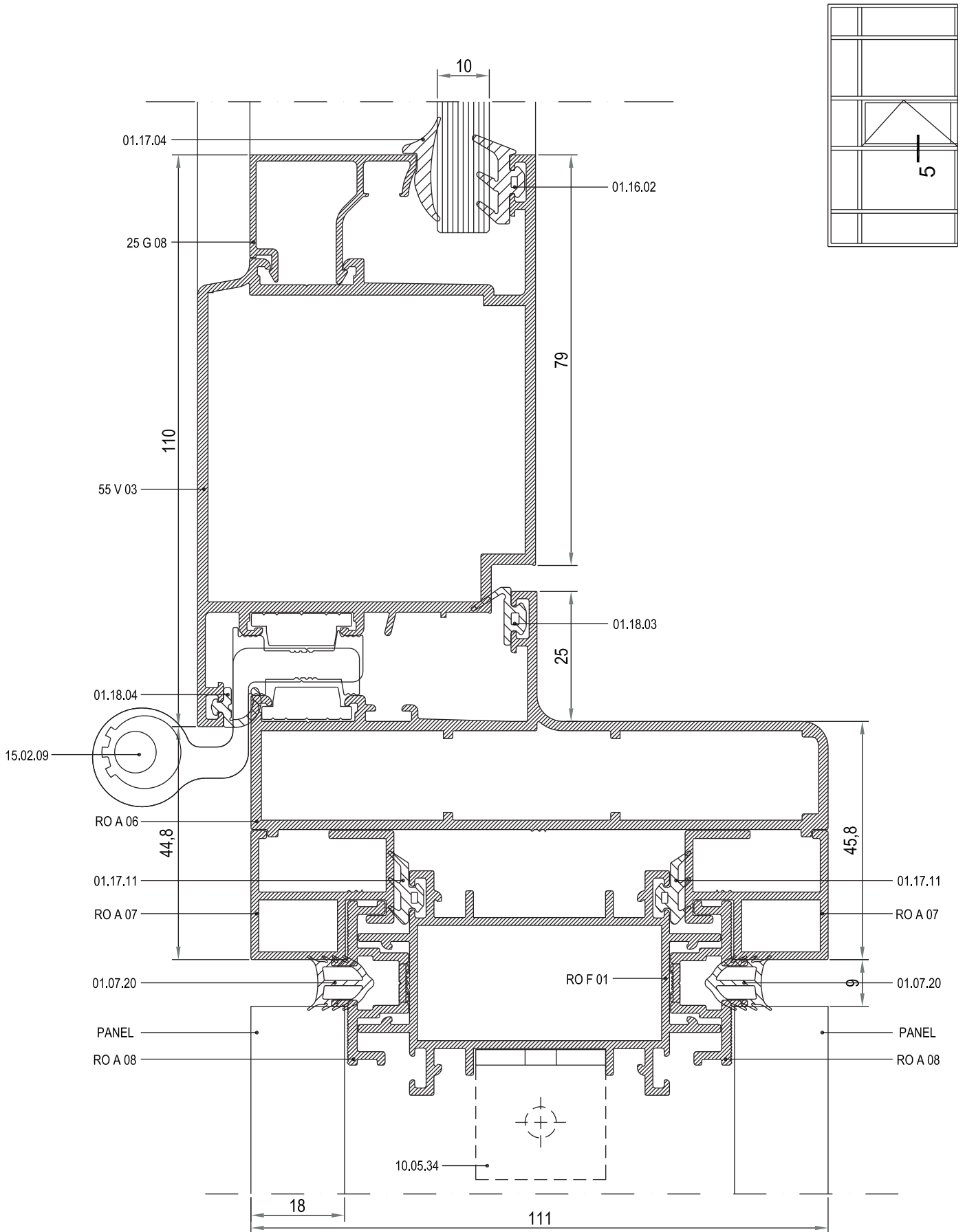
16

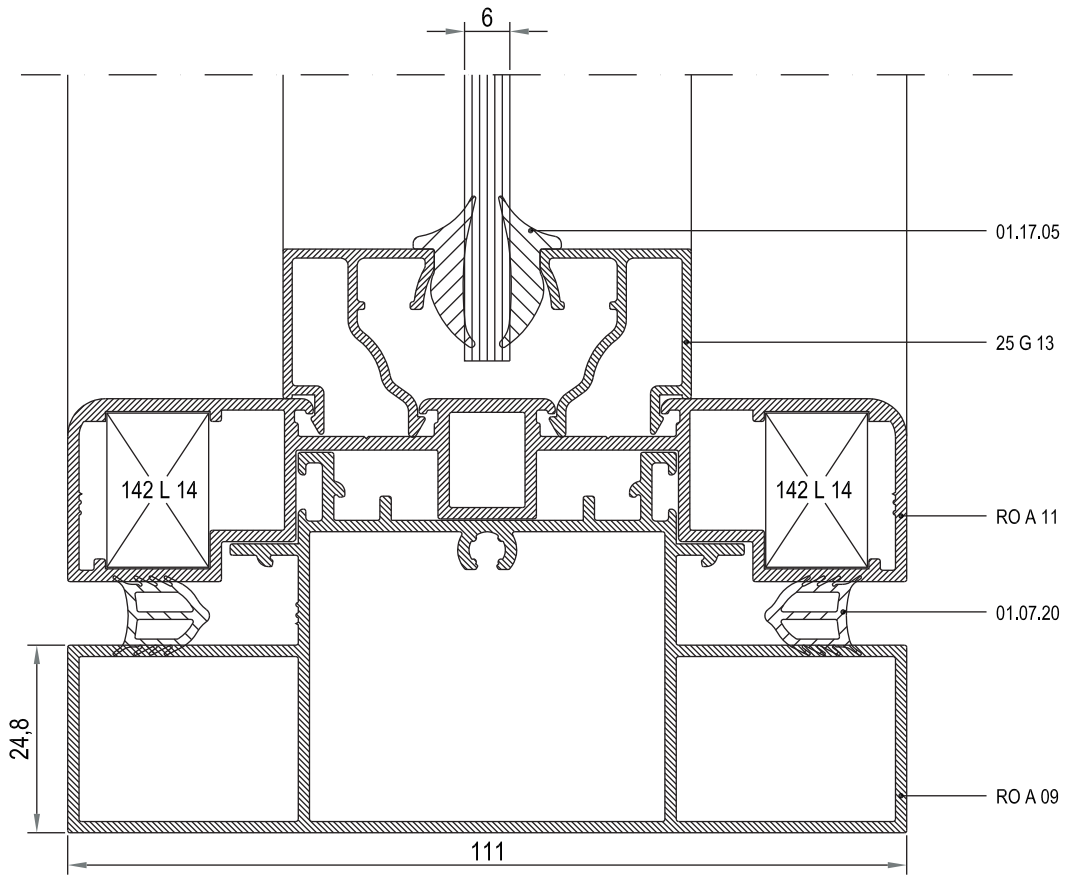
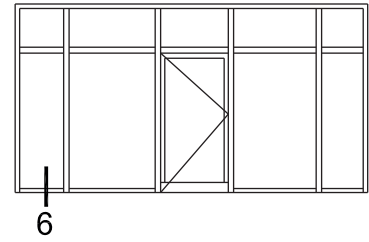
17

18

19

20





11

12

13

14

15

16

17

18

19

20



11



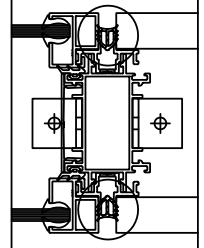
01.07.20

DERZ FITİLİ

LAP JOINT GASKET

EPDM

65 gr/m



12



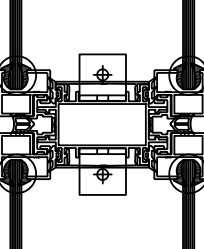
01.17.03

İÇ CAM FITİLİ

GLAZING GASKET (INSIDE)

EPDM

46 gr/m



13



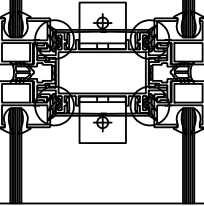
01.17.11

CAM FITİLİ

GLAZING GASKET

EPDM

42 gr/m



14



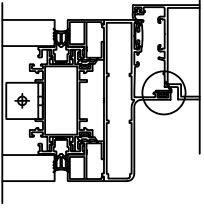
01.18.03

BİNİ FITİLİ

ACOUSTICAL GASKET

EPDM

53 gr/m



15



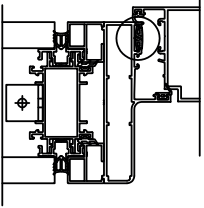
01.19.06

ÇİTA KANAL FITİLİ

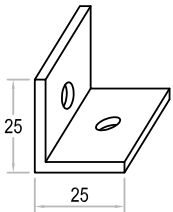
ADAPTER GASKET

EPDM

71 gr/m



17



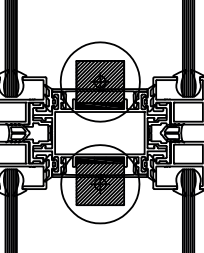
10.05.34

BAĞLANTI PARÇASI

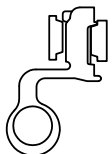
CONNECTION PIECE

ALÜMİNYUM

25 mm



18



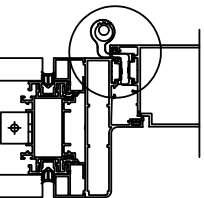
15.02.09

KAPI MENTEŞESİ

DOOR HINGE

SİYAH-BEYAZ-GRİ-ELOKSAL

BLACK-WHITE-GREY-ANODISED



19

20

RESCARA SİSTEM

RESCARA SYSTEM

Aluminyum Kapı Pencere ve Giydirme Cephe Sistemleri
Aluminium Window Doors and Facade Systems



11

12

13

14

15

16

17

18

19

20

RESCARA SİSTEM

RESCARA SYSTEM

Aluminyum Kapı Pencere ve Giydirmce Cephe Sistemleri
Aluminium Window Doors and Facade Systems

11



12

13

14

15

16

17

18

19

20