

MİMARİ KATALOG

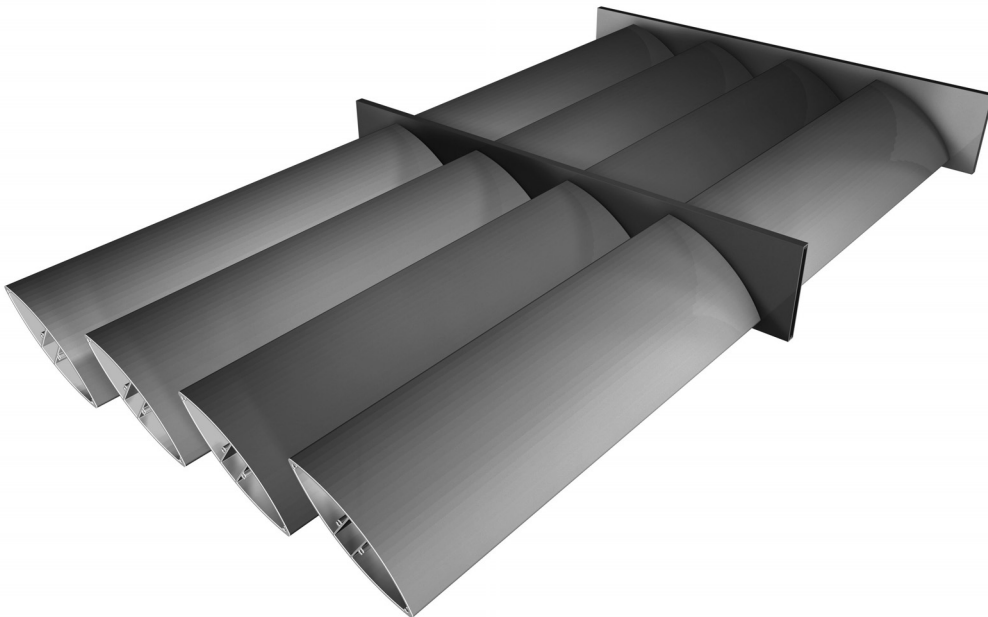
ARCHITECTURAL CATALOGUE

Aluminyum Kapı Pencere ve Giydirme Cephe Sistemleri
Aluminium Window Doors and Facade Systems



Rescara Sistem
Profil Detayları

Rescara System
Profile Details



RESS

RESCARA SİSTEM

RESCARA SYSTEM

Aluminyum Kapı Pencere ve Giydirme Cephe Sistemleri
Aluminium Window Doors and Facade Systems

31



32

33

34

35

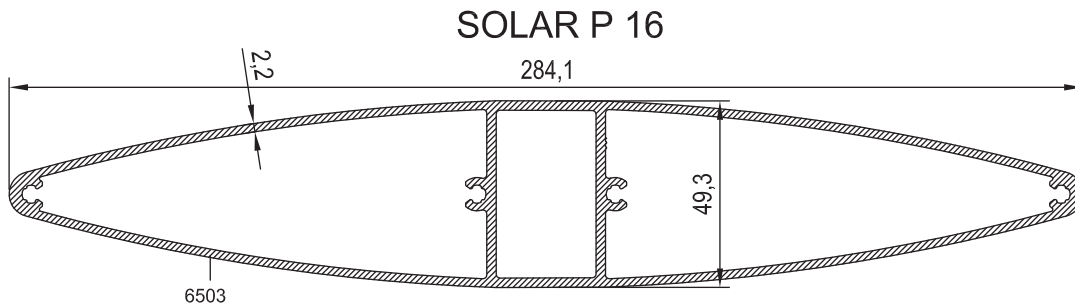
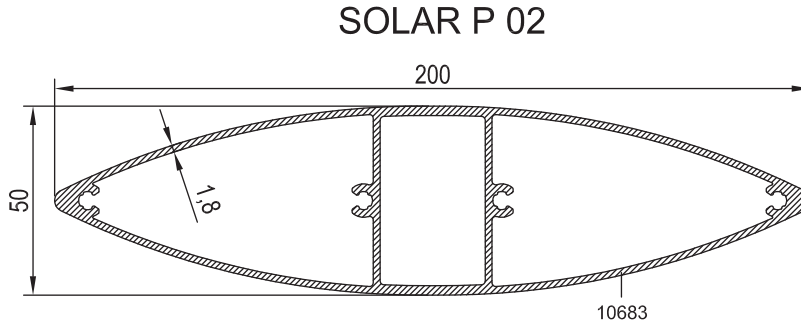
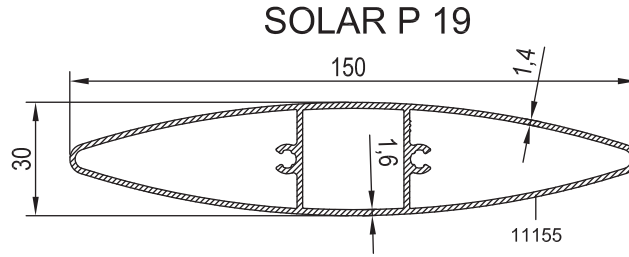
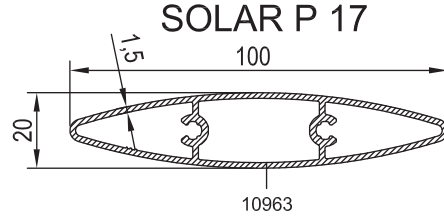
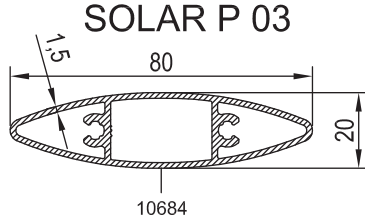
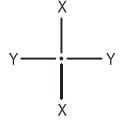
36

37

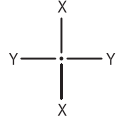
38



KOD / CODE	AĞIRLIK (kg/m) / WEIGHT	L m	KOD / CODE	AĞIRLIK (kg/m) / WEIGHT	L m
SOLAR P 03	0,944	6	SOLAR P 02	3,677	6
SOLAR P 17	1,057	6	SOLAR P 16	4,406	6
SOLAR P 19	1,480	6			



KOD / CODE	AĞIRLIK (kg/m) / WEIGHT	L m	
SOLAR P 24	4,182	6	
1148	0,980	6	
1147	1,815	6	



31

32

33

34

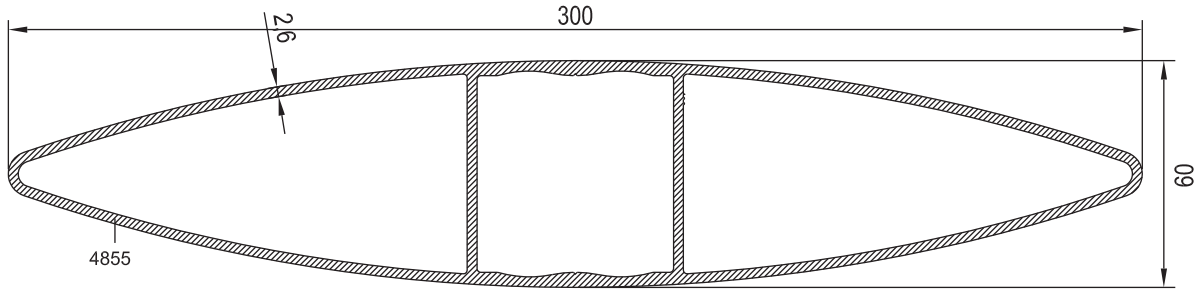
35

36

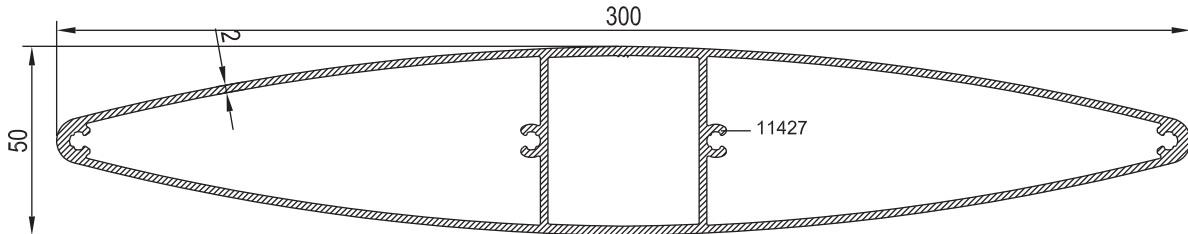
37

38

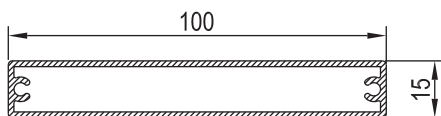
SOLAR P 15



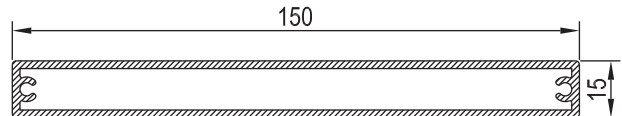
SOLAR P 24



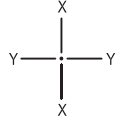
1148



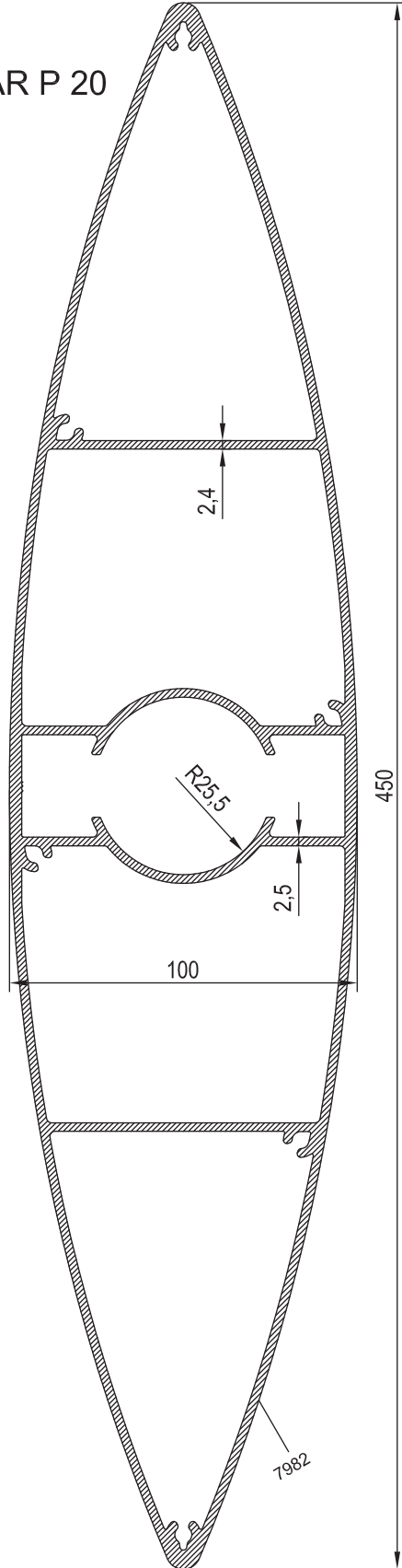
1147



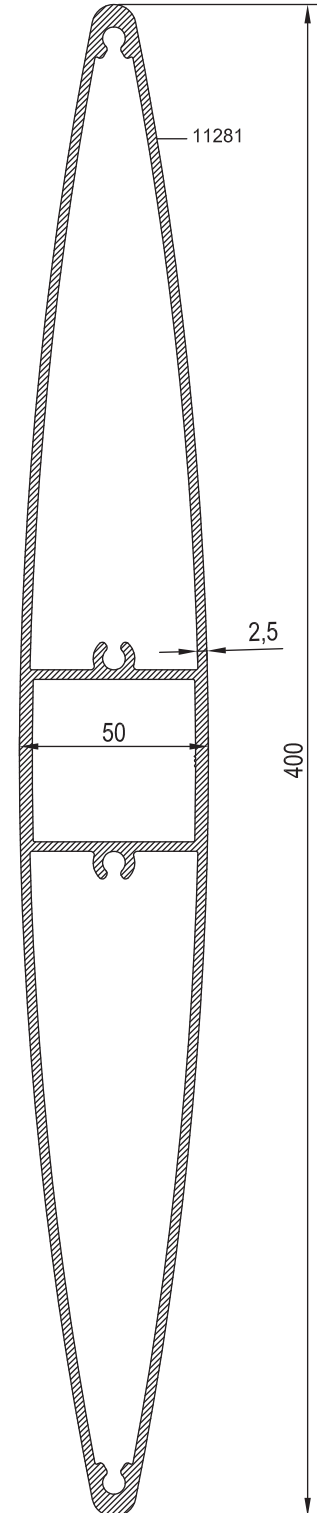
KOD / CODE	AĞIRLIK (kg/m) / WEIGHT	L m	
SOLAR P 20	9,412	6	
SOLAR P 21	7,033	6	



SOLAR P 20

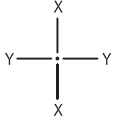


SOLAR P 21

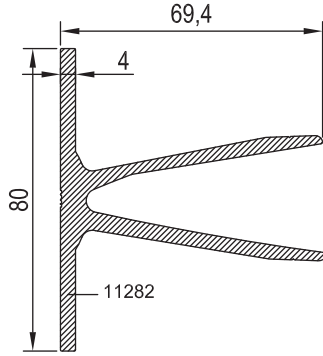


Ölçek:1/2
Scale:1/2

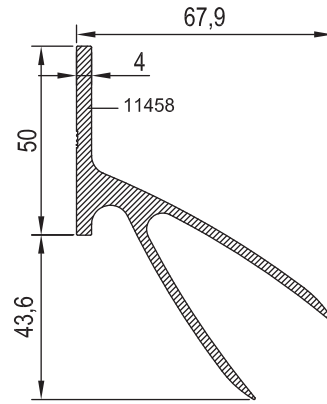
KOD / CODE	AĞIRLIK (kg/m) / WEIGHT	L m	KOD / CODE	AĞIRLIK (kg/m) / WEIGHT	L m
SOLAR P 22	2,285	6	SOLAR P 13	1,785	6
SOLAR P 04	3,276	6	SOLAR P 14	1,570	6
SOLAR P 05	1,447	6	SOLAR P 26	1,666	6



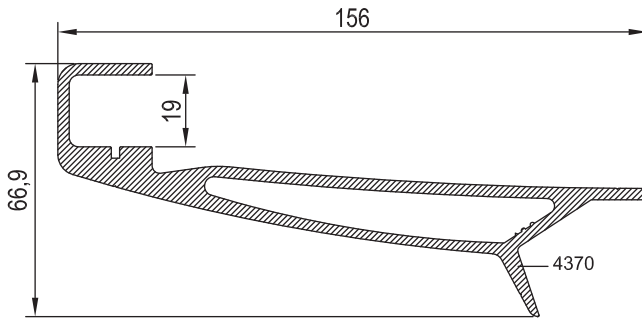
SOLAR P 22
(SOLAR P 21 için)



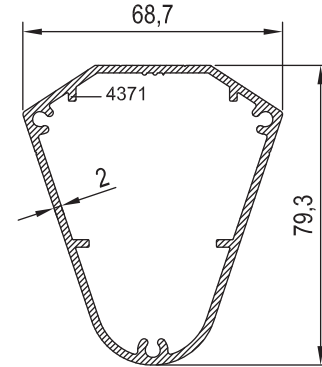
SOLAR P 26
(SOLAR P 19 için)



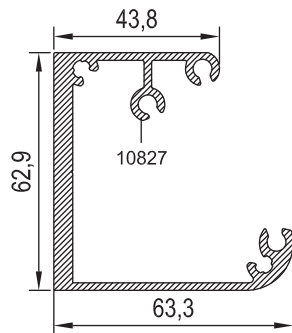
SOLAR P 04



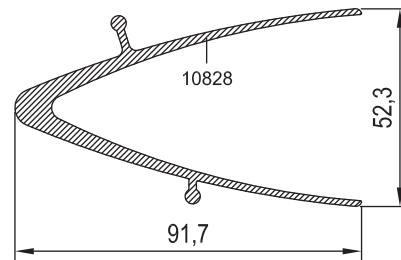
SOLAR P 05

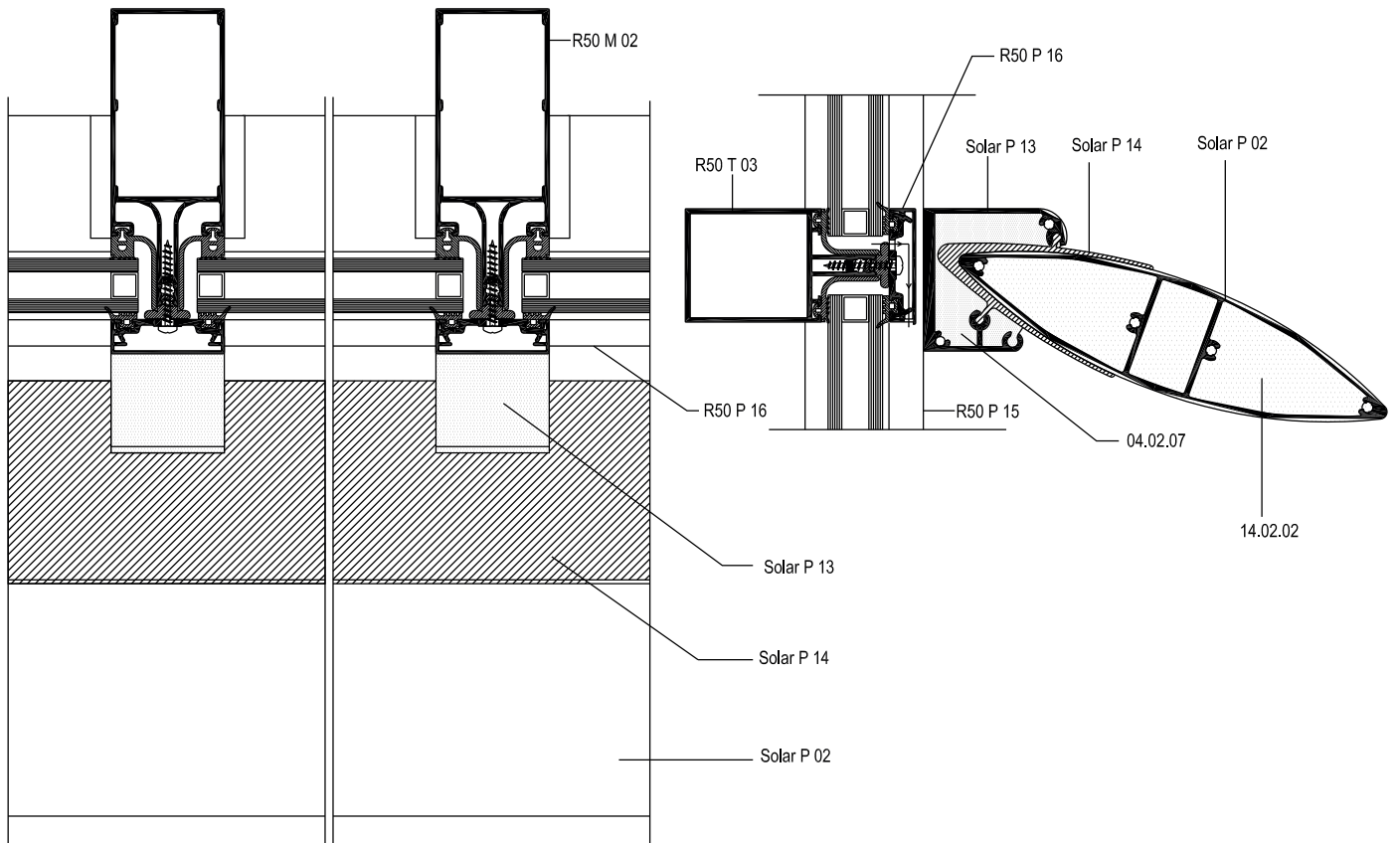
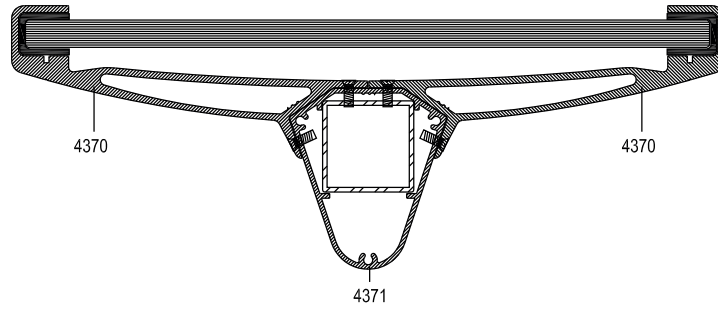
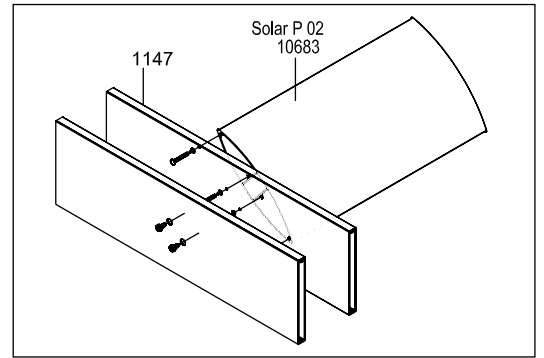
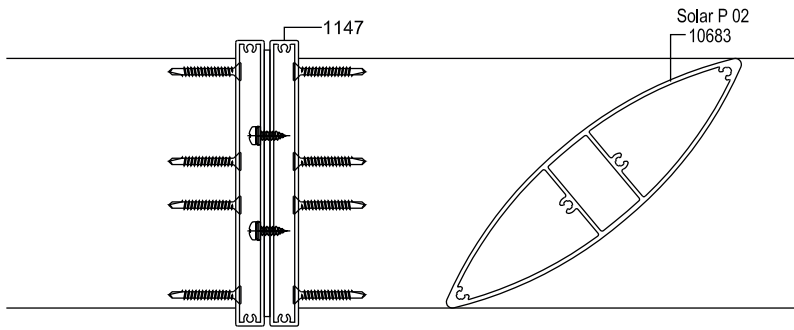


SOLAR P 13
(SOLAR P 14 için)

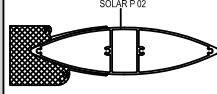


SOLAR P 14
(SOLAR P 02 için)



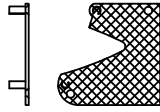
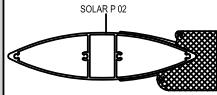


31

**14.02.05**YAN KAPAK-SOL
CAP-LEFT
PVC

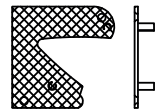
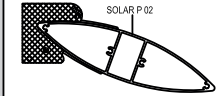
SOLAR P 13 (10827)

32

**14.02.06**YAN KAPAK-SAĞ
CAP-RIGHT
PVC

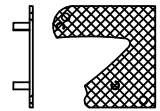
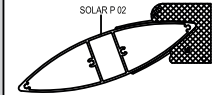
SOLAR P 13 (10827)

33

**14.02.07**YAN KAPAK-SOL
CAP-LEFT
PVC

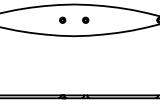
SOLAR P 13 (10827)

34

**14.02.08**YAN KAPAK-SAĞ
CAP-RIGHT
PVC

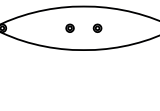
SOLAR P 13 (10827)

35

**14.02.01**YAN KAPAK
CAP
ALUMİNYUM
ALUMINIUM

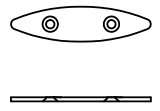
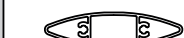
SOLAR P 16 (6503)

37

**14.02.02**YAN KAPAK
CAP
ALUMİNYUM
ALUMINIUM

SOLAR P 02 (10683)

38

**14.02.03**YAN KAPAK
CAP
ALUMİNYUM
ALUMINIUM

SOLAR P 03 (10684)

RESCARA SİSTEM

RESCARA SYSTEM

Aluminyum Kapı Pencere ve Giydirmeye Cephe Sistemleri
Aluminium Window Doors and Facade Systems



NOTLAR :

A series of horizontal dashed lines provided for taking notes.

RESCARA SİSTEM

RESCARA SYSTEM

Aluminyum Kapı Pencere ve Giydirme Cephe Sistemleri
Aluminium Window Doors and Facade Systems



NOTLAR :

A series of horizontal dashed lines provided for taking notes.

RESCARA SİSTEM

RESCARA SYSTEM

Aluminyum Kapı Pencere ve Giydirme Cephe Sistemleri
Aluminium Window Doors and Facade Systems



NOTLAR :

A series of horizontal dashed lines provided for taking notes.

RESCARA SİSTEM RESCARA SYSTEM

Aluminyum Kapı Pencere ve Giydirme Cephe Sistemleri
Aluminium Window Doors and Facade Systems



NOTLAR :

A series of horizontal dashed lines for taking notes.

RESCARA SİSTEM

RESCARA SYSTEM

Aluminyum Kapı Pencere ve Giydirmeye Cephelere Sistemleri
Aluminium Window Doors and Facade Systems



NOTLAR :

A series of horizontal dashed lines spanning the width of the page, intended for handwritten notes or additional information.